

U4206A Probe Cable

Quick Start and Accessory Guide

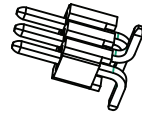
34 Channel, Soft Touch Pro, Single-Ended,
Quad x 160-Pin Direct Connect

Socket Adapter



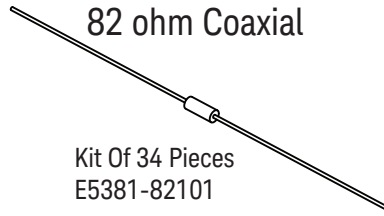
Kit Of 34 Pieces
E5381-82102

3-Pin Header



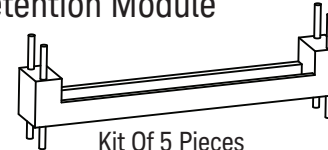
Kit Of 34 Pieces
E5381-82104

Tip Resistor
82 ohm Coaxial



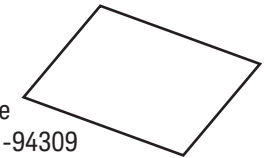
Kit Of 34 Pieces
E5381-82101

Soft Touch Pro
Retention Module



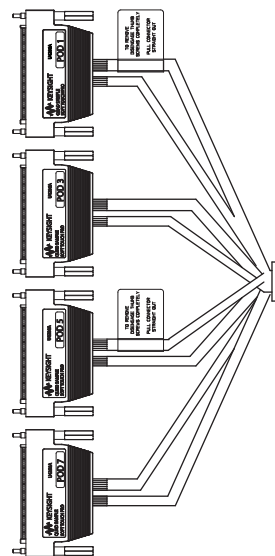
Kit Of 5 Pieces
E5405-68702

82 Ohm Resistor
Template



1 Piece
01131-94309

Logic Analyzer
Connection Pods

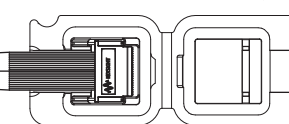


PROBE CABLE ASSEMBLY

Clock Qualifier Connections



Soft Touch Pro
Connector

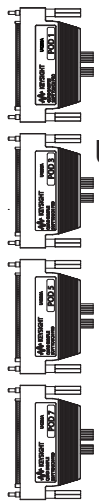


Pin Protector

Extra E5390-25201 Pin
Protectors are included

**DO NOT DISCARD THIS
PIN PROTECTOR**

To protect the Soft
Touch Pro pins from
being damaged, use the
Pin Protector when
probe is not connected.

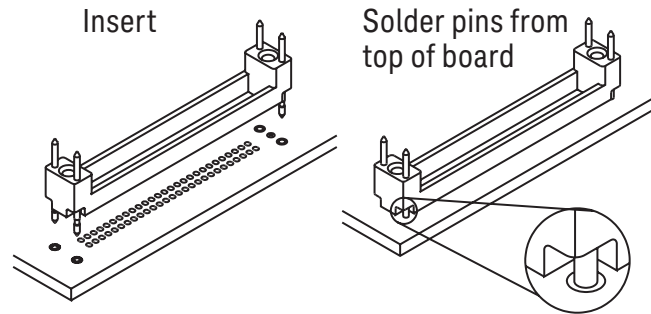


1 CONNECT PODS TO LOGIC ANALYZER

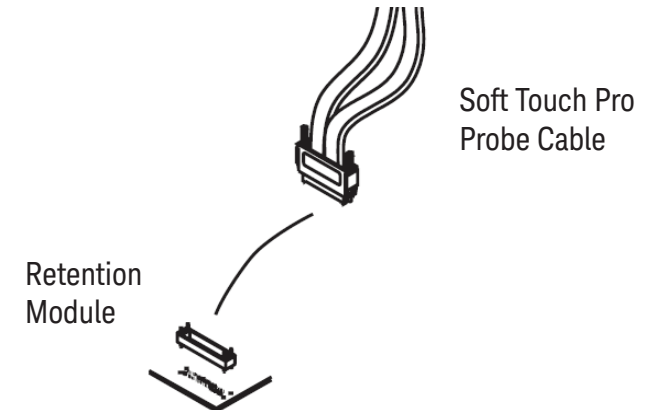
U4206A Connector Pod - To - LA Connector

Pod 1	Pods 1/2
Pod 3	Pods 3/4
Pod 5	Pods 5/6
Pod 7	Pods 7/8

2 APPLY SOFT TOUCH PRO RETENTION MODULE TO SYSTEM UNDER TEST

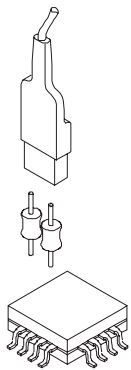


3 CONNECT PROBE CABLE TO SOFT TOUCH PRO RETENTION MODULE



CLOCK QUALIFIER CONNECTIONS ARE MADE USING THE INCLUDED ACCESSORIES

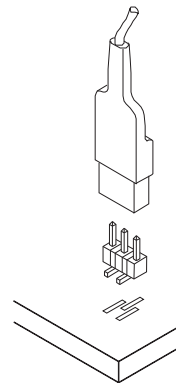
Coaxial Tip Resistor 82 Ohm



- Solder Attach To:
- Components
 - Traces
 - Pads
 - VIAs

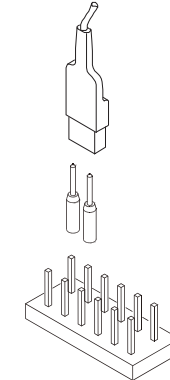
Total Lumped Input C 0.9 pF

3-Pin Header



Total Lumped Input C 1.0 pF

Socket Adapter



Total Lumped Input C 1.1 pF

Detailed information on the U4206A Probe Cable is available at <http://www.keysight.com/find/U4206A>. On this webpage, click the **Document Library** tab and download the user guide.

© Keysight Technologies 2015
U4206-92000, June 2015, Printed in USA

